

Section 400, Illustration B, Figures 9-10

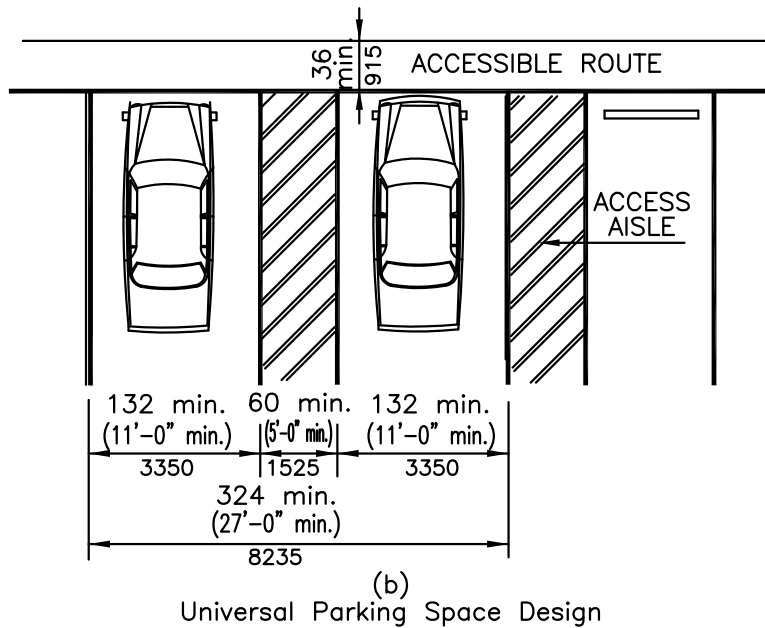
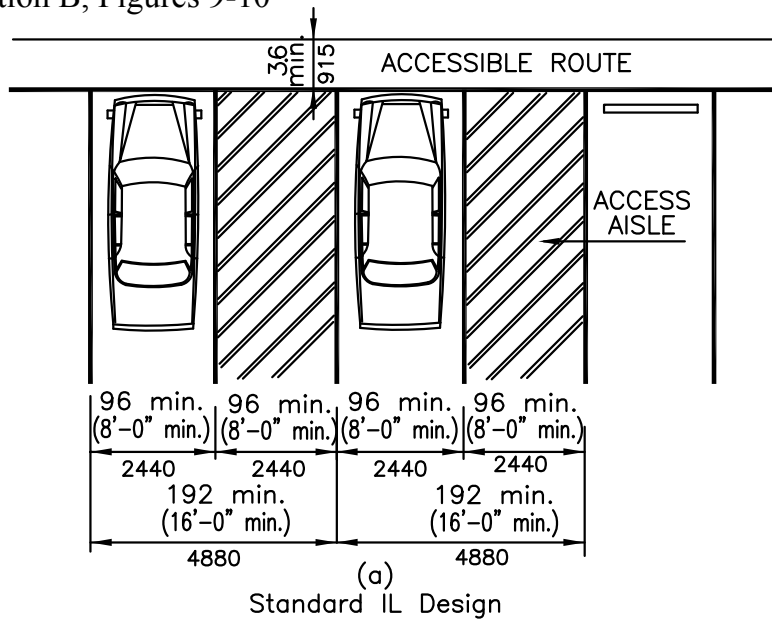


Fig. 9
Dimensions Of Parking Spaces
(Typical Parking Spaces for 45°, 60°, and 90° Arrangements)

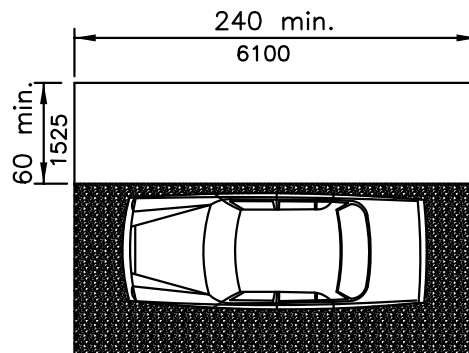


Fig. 10
Access Aisle at Passenger Loading Zones